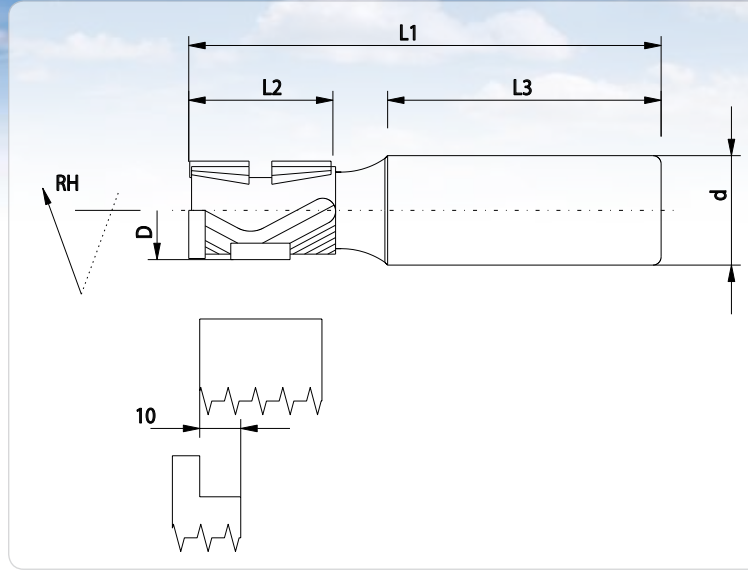


PRICELIST

# ROUTERS





**ECO**vantage

**MEC**

Polycrystalline Diamond [DP]  
3mm (\*apart from D:12 2mm)

**machine / application**

CNC routers:  
For jointing, rabbeting, grooving  
and copying.  
Material processing of:  
Particleboard and \*MDF boards,  
both raw or with melamine-,  
paper-, HPL-, foil-laminates. Real  
wood veneer panels and \*\*solid  
hard woods.

**design**

Alternating shear angle (positive/  
negative)  
HW plunging tip for ramping on Z & X  
axis (recommended), or straight  
plunging on Z axis.  
Typical n° of service cycles for  
2mm tip ~ 1-2  
Typical n° of service cycles for  
3mm tip ~ 3-4  
n max 30.000

**advantages**

**Economy & Performance**

Z1+1 on a 3 flute design for:  
Better chip removal  
Longer tool life  
Less cutting pressure  
Better balance

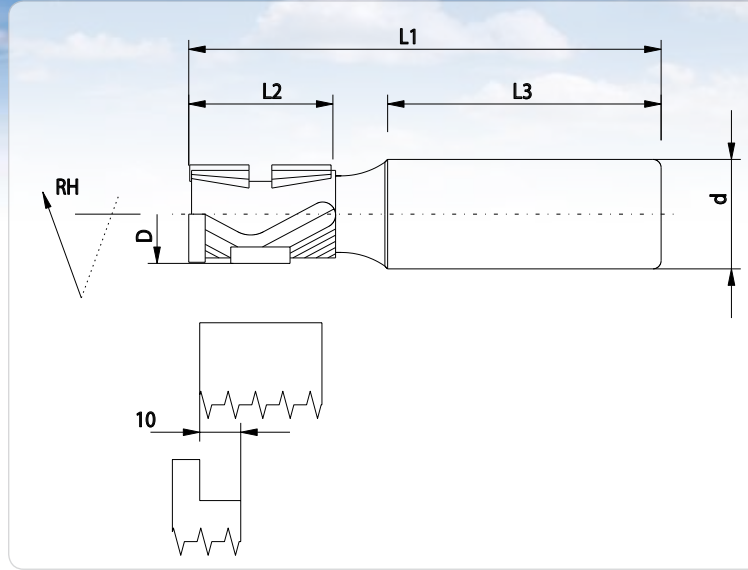
**notes**

Tool designed and manufactured  
under EN 847-2 regulations.

\*Not suitable if lacquering due  
to overlap marks, instead go to  
articles AES51 to 5A  
\*\*Post Sanding may be requi-  
red due to overlap marks.

D	L2	d	L3	L1	Z	cod. (LH)	cod. (RH)	list price €
*12	25,4	12	40	75	1+1	DP1M201S	DP1M201D	€ 155,00
*12	25,4	25	55	90	1+1	DP1M202S	DP1M202D	€ 155,00
*12	28	12	40	75	1+1	DP1M220S	DP1M220D	€ 171,00
*12	28	25	55	90	1+1	DP1M221S	DP1M221D	€ 171,00
16	25,4	16	40	75	1+1	DP1M301S	DP1M301D	€ 155,00
16	25,4	20	50	85	1+1	DP1M318S	DP1M318D	€ 155,00
16	25,4	25	55	90	1+1	DP1M302S	DP1M302D	€ 155,00
16	28	16	40	80	1+1	DP1M319S	DP1M319D	€ 171,00
16	28	20	50	90	1+1	DP1M320S	DP1M320D	€ 171,00
16	28	25	55	95	1+1	DP1M321S	DP1M321D	€ 171,00
16	35	16	40	85	1+1	DP1M303S	DP1M303D	€ 207,00
16	35	20	50	95	1+1	DP1M322S	DP1M322D	€ 207,00
16	35	25	55	100	1+1	DP1M304S	DP1M304D	€ 207,00
18	25,4	16	40	75	1+1	DP1M305S	DP1M305D	€ 155,00
18	25,4	20	50	85	1+1	DP1M307S	DP1M307D	€ 155,00
18	25,4	25	55	90	1+1	DP1M308S	DP1M308D	€ 155,00
18	28	16	40	80	1+1	DP1M323S	DP1M323D	€ 171,00
18	28	20	50	90	1+1	DP1M324S	DP1M324D	€ 171,00
18	28	25	55	95	1+1	DP1M325S	DP1M325D	€ 171,00
18	35	16	40	85	1+1	DP1M309S	DP1M309D	€ 207,00
18	35	20	50	95	1+1	DP1M311S	DP1M311D	€ 207,00
18	35	25	55	100	1+1	DP1M312S	DP1M312D	€ 207,00
18	43	16	40	95	1+1	DP1M313S	DP1M313D	€ 258,00
18	43	20	50	105	1+1	DP1M314S	DP1M314D	€ 258,00
18	43	25	55	110	1+1	DP1M315S	DP1M315D	€ 258,00
20	51	20	55	120	1+1	DP1M316S	DP1M316D	€ 310,00
20	51	25	55	120	1+1	DP1M317S	DP1M317D	€ 310,00

mm



**ECOvantage**

**MEC**

Polycrystalline Diamond [DP]  
3mm (\*apart from 1/2" 2mm)

**machine / application**

CNC routers:  
For jointing, rabbeting, grooving and copying.  
Material processing of:  
Particleboard and \*MDF boards, both raw or with melamine-, paper-, HPL-, foil-laminates.  
Real wood veneer panels and \*\*solid hard woods.

**design**

Alternating shear angle (positive/negative)  
HW plunging tip for ramping on Z & X axis (recommended), or straight plunging on Z axis.  
Typical n° of service cycles for 2mm tip ~ 1-2  
Typical n° of service cycles for 3mm tip ~ 3-4  
n max 30.000

**advantages**

**Economy & Performance**  
Z1+1 on a 3 flute design for:  
Better chip removal  
Longer tool life  
Less cutting pressure  
Better balance

**notes**

Tool designed and manufactured under EN 847-2 regulations.

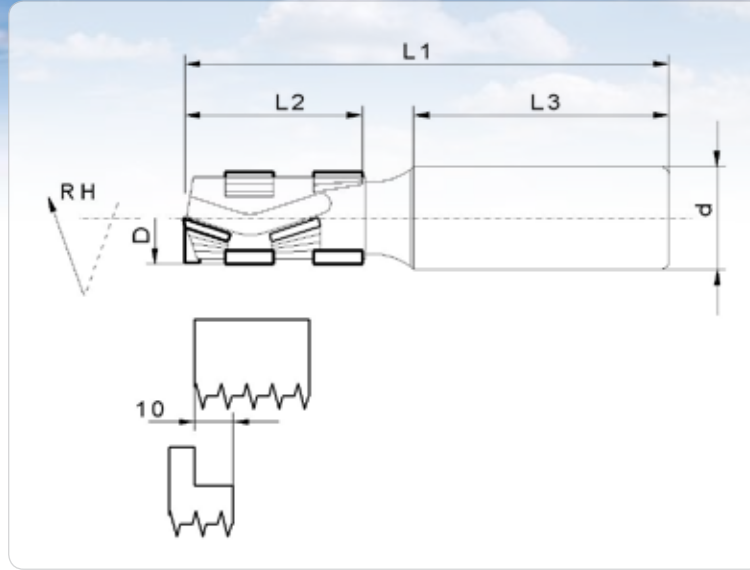
\*Not suitable if lacquering due to overlap marks, instead go to articles AES51 to 5A  
\*\*Post Sanding may be required due to overlap marks.

D	L2	d	L3	L1	Z	cod. (LH)	cod. (RH)	list price €
1/2 "	1 "	1/2 "	1 " 3/8	2 " 3/4	1+1	DP1H201S	DP1H201D	€ 155,00
1/2 "	1 " 3/8	1/2 "	1 " 3/8	3 " 7/64	1+1	DP1H214S	DP1H214D	€ 207,00
1/2 "	1 " 5/8	1/2 "	1 " 3/4	4 "	1+1	DP1H204S	DP1H204D	€ 258,00
5/8 "	1 "	1/2 "	1 " 3/8	2 " 7/8	1+1	DP1H301S	DP1H301D	€ 155,00
5/8 "	1 "	5/8 "	1 " 3/4	3 " 3/8	1+1	DP1H302S	DP1H302D	€ 155,00
5/8 "	1 " 3/8	5/8 "	1 " 3/4	3 " 3/4	1+1	DP1H310S	DP1H310D	€ 207,00
5/8 "	1 " 5/8	5/8 "	1 " 3/4	4 "	1+1	DP1H303S	DP1H303D	€ 258,00
3/4 "	1 "	3/4 "	1 " 3/4	3 " 3/8	1+1	DP1H304S	DP1H304D	€ 155,00
3/4 "	1 " 3/8	3/4 "	1 " 31/32	3 " 3/4	1+1	DP1H306S	DP1H306D	€ 207,00
3/4 "	1 " 5/8	3/4 "	1 " 31/32	4 "	1+1	DP1H308S	DP1H308D	€ 258,00
3/4 "	2 " 1/16	3/4 "	1 " 31/32	4 " 1/2	1+1	DP1H309S	DP1H309D	€ 310,00

inch

D	L2	d	L3	L1	Z	cod. (LH)	cod. (RH)	list price €
12,7	25,4	12,7	34,925	69,85	1+1	DP1H201S	DP1H201D	€ 155,00
12,7	34,925	12,7	34,925	79,00	1+1	DP1H214S	DP1H214D	€ 207,00
12,7	41,275	12,7	44,45	101,6	1+1	DP1H204S	DP1H204D	€ 258,00
15,88	25,4	12,7	34,925	73,00	1+1	DP1H301S	DP1H301D	€ 155,00
15,88	25,4	15,88	44,45	85,725	1+1	DP1H302S	DP1H302D	€ 155,00
15,88	34,925	15,88	44,45	95,25	1+1	DP1H310S	DP1H310D	€ 207,00
15,88	41,275	15,88	44,45	101,6	1+1	DP1H303S	DP1H303D	€ 258,00
19,05	25,4	19,05	44,45	85,725	1+1	DP1H304S	DP1H304D	€ 155,00
19,05	34,925	19,05	50	95,25	1+1	DP1H306S	DP1H306D	€ 207,00
19,05	41,275	19,05	50	101,6	1+1	DP1H308S	DP1H308D	€ 258,00
19,05	52,387	19,05	50	114,3	1+1	DP1H309S	DP1H309D	€ 310,00

mm



ECOvantage

**MEC**

Polycrystalline Diamond [DP]  
3mm

**machine / application**

CNC routers:  
For sizing and dividing

Material processing of:  
Particleboard and \*MDF boards,  
both raw or with melamine-,  
paper-, HPL-, foil-laminates.  
Real wood veneer panels and  
\*\*solid hard woods

**design**

Alternating shear angle (positive/  
negative) for top and bottom finish.

HW plunging tip for ramping on  
Z & X axis (recommended), or  
straight plunging on Z axis.

Typical n° of service cycles ~ 3-4  
n max 30.000

**advantages**

**Economy & Performance**

Z2+2 on a 4 flute design for:  
Better chip removal  
Longer tool life  
Less cutting pressure  
Better balance

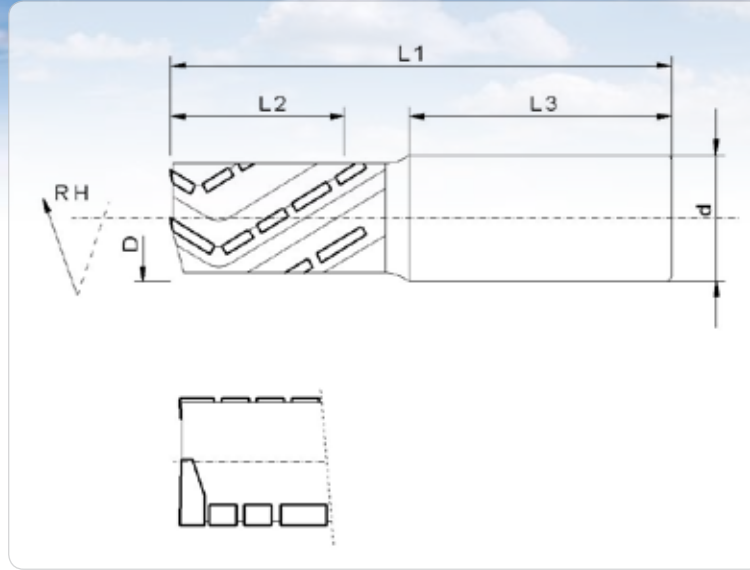
**notes**

Tool designed and manufac-  
tured under EN 847-2 regu-  
lations.

\*Not suitable if lacquering  
due to overlap marks, instead  
go to articles AES51 to 5A  
\*\*Post Sanding may be required  
due to overlap marks.

D	L2	d	L3	L1	Z	cod. (LH)	cod. (RH)	list price €
20	25,4	20	50	85	2+2	DP2M314S	DP2M314S	€ 310,00
20	25,4	25	55	90	2+2	DP2M315S	DP2M315S	€ 310,00
20	28	20	50	90	2+2	DP2M316S	DP2M316S	€ 341,00
20	28	25	55	95	2+2	DP2M317S	DP2M317S	€ 341,00
20	35	20	50	95	2+2	DP2M318S	DP2M318S	€ 413,00
20	35	25	55	100	2+2	DP2M319S	DP2M319S	€ 413,00
20	43	20	50	105	2+2	DP2M320S	DP2M320S	€ 517,00
20	43	25	55	110	2+2	DP2M321S	DP2M321S	€ 517,00
20	51	20	55	120	2+2	DP2M312S	DP2M312S	€ 620,00
20	51	25	55	120	2+2	DP2M313S	DP2M313S	€ 620,00

mm



ECOvantage

**MEC**

Polycrystalline Diamond [DP]  
4,7mm

**machine / application**

CNC routers:  
For sizing and dividing.

Material processing of:  
Particleboard and \*MDF boards,  
both raw or with melamine-,  
paper-, HPL-, foil-laminates.  
Real wood veneer panels and  
\*\*solid hard woods.

**design**

Alternating shear angle (positive/  
negative) for top and bottom finish.

Prevailing negative flute.

Diamond plunging tip for ramping  
on Z & X axis (recommended), or  
straight plunging on Z axis.

Typical n° of service cycles ~ 6 - 8

n max 30.000

**advantages**

**Economy & Performance**

Z3 on a helical flute design for:  
Better chip removal  
Longer tool life  
Less cutting pressure  
Better balance  
High shear angle for cleaner cut

**notes**

Tool designed and manufac-  
tured under EN 847-2 regu-  
lations

\*Not suitable if lacquering  
due to overlap marks, instead  
go to articles AES51 to 5A  
\*\*Post Sanding may be requi-  
red due to overlap marks.

D	L2	d	L3	L1	Z	cod. (LH)	cod. (RH)	list price €
18	22	20	55	90	3 (9)	DP3F001S	DP3F001D	€ 771,00
18	22	25	55	90	3 (9)	DP3F002S	DP3F002D	€ 771,00
20	22	20	55	90	3 (9)	DP3F003S	DP3F003D	€ 771,00
20	22	25	55	90	3 (9)	DP3F004S	DP3F004D	€ 771,00
20	28	20	55	100	3 (11)	DP3F005S	DP3F005D	€ 839,00
20	28	25	55	100	3 (11)	DP3F006S	DP3F006D	€ 839,00
20	38	20	55	105	3 (15)	DP3F007S	DP3F007D	€ 953,00
20	38	25	55	105	3 (15)	DP3F008S	DP3F008D	€ 953,00
20	48	20	55	115	3 (15)	DP3F009S	DP3F009D	€ 1101,00
20	48	25	55	115	3 (15)	DP3F00AS	DP3F00AD	€ 1101,00
25	22	20	55	90	3 (9)	DP3F00BS	DP3F00BD	€ 771,00
25	22	25	55	90	3 (9)	DP3F00CS	DP3F00CD	€ 771,00
25	28	20	55	100	3 (11)	DP3F00DS	DP3F00DD	€ 839,00
25	28	25	55	100	3 (11)	DP3F00ES	DP3F00ED	€ 839,00
25	38	20	55	105	3 (15)	DP3F00FS	DP3F00FD	€ 953,00
25	38	25	55	105	3 (15)	DP3F00GS	DP3F00GD	€ 953,00
25	48	20	55	115	3 (15)	DP3F00HS	DP3F00HD	€ 1101,00
25	48	25	55	115	3 (15)	DP3F00IS	DP3F00ID	€ 1101,00